

CCP1016 Combination Connection Pedestal

■ Outside Plant for Business-Critical Continuity

Key Features

- Multiple facilities housed in one pedestal serve the function of two pedestals and offer an aesthetically pleasing installation site
- Two independent equipment compartments provide craft separation between the two facilities
- Large capacity of internal compartments offers greater access to the equipment
- Universal mounting plate simplifies mounting for coax and copper distribution equipment
- Optional louvered cover available for future expansion/changeout
- Lift-off front cover offers complete 180° access to each compartment for easy installation and maintenance
- Temporary service drop knockouts permit service until drops can be trenched
- Bonding and grounding provisions accommodate equipment bonding and grounding requirements
- Hex-head locking bolt with padlock hasps and provisions for Star Lock design security bolts ensure maximum security versatility
- Our unique multistage gray-green finishing process meets or exceeds EPA standards, and provides a tough corrosion-resistant finish for longer life

Description

The CCP1016 Combined Connection Pedestal is an above-ground metallic closure for housing a combination of distribution equipment including coaxial, twisted pair copper, and/or fiber distribution.

Designed with two separate compartments, the CCP1016 allows neat and efficient use of multiple distribution facilities, yet offers craft separation between the two.

The CCP1016L1 version features one louvered front cover for heat dissipation of active devices. Both the CCP1016 and CCP1016L1 are equipped with two 32-in. mounting stakes and factory installed universal mounting plates.

By combining multiple facilities into one pedestal closure, the CCP1016 takes the place of two closures for a more economical and aesthetically pleasing installation. CCP1016 closures are manufactured of heavy gauge mill-galvanized steel, treated with a unique finishing process for longer life.

Application

The CCP1016 serves as an above-ground housing for joint installation of coaxial, copper and/or fiber distribution facilities and equipment, such as taps, splitters, line extenders, splice modules, terminal blocks, splice cases, etc. The CCP1016 is designed for joint trenching applications, and for providers of both voice and video services.



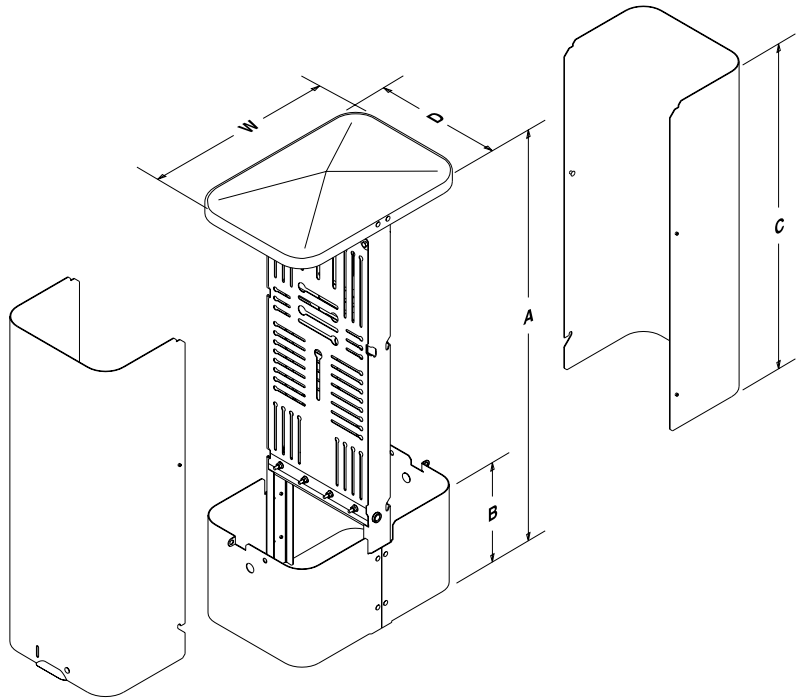
CCP1016 Combination Connection Pedestal



Specifications

Catalog Number	Part Number	A	B	C	D	W
CCP1016	F605121					
CCP1016L1	F605127	43 1/2-in.	16-in.	25-in.	10 3/4-in.	16-1/4-in.

NOTE: The internal mounting space is 26.3"H x 10.5"W x 6.9"D per side of closure.



Accessories

Catalog Number	Part Number	Description
P85690	F585690	One louvered front cover
P85946	F585946	300-pair RLS mounting plate

Emerson Network Power.

The global leader in enabling business-critical continuity.

- AC Power Systems
- Embedded Power
- Precision Cooling
- Connectivity
- Integrated Cabinet Solutions
- Services
- DC Power Systems
- Outside Plant
- Site Monitoring
- Embedded Computing
- Power Switching & Control
- Surge Protection

Emerson Network Power Energy Systems

4350 Weaver Parkway, Warrenville, IL 60555
 Toll Free: 800-800-1280 (USA and Canada)
 Telephone: 440-246-6999 Fax: 440-246-4876
www.EmersonNetworkPower.com/EnergySystems

© 2006 Emerson Network Power Energy Systems, North America, Inc. All rights reserved.

The Emerson logo is a trademark and a service mark of Emerson Electric Co. Emerson Network Power is a division of Emerson Electric Co.

Printed in USA

